



OUTLINE DIMENSIONS

MOTOR TYPE:
AEUH8P-XXX

DATE

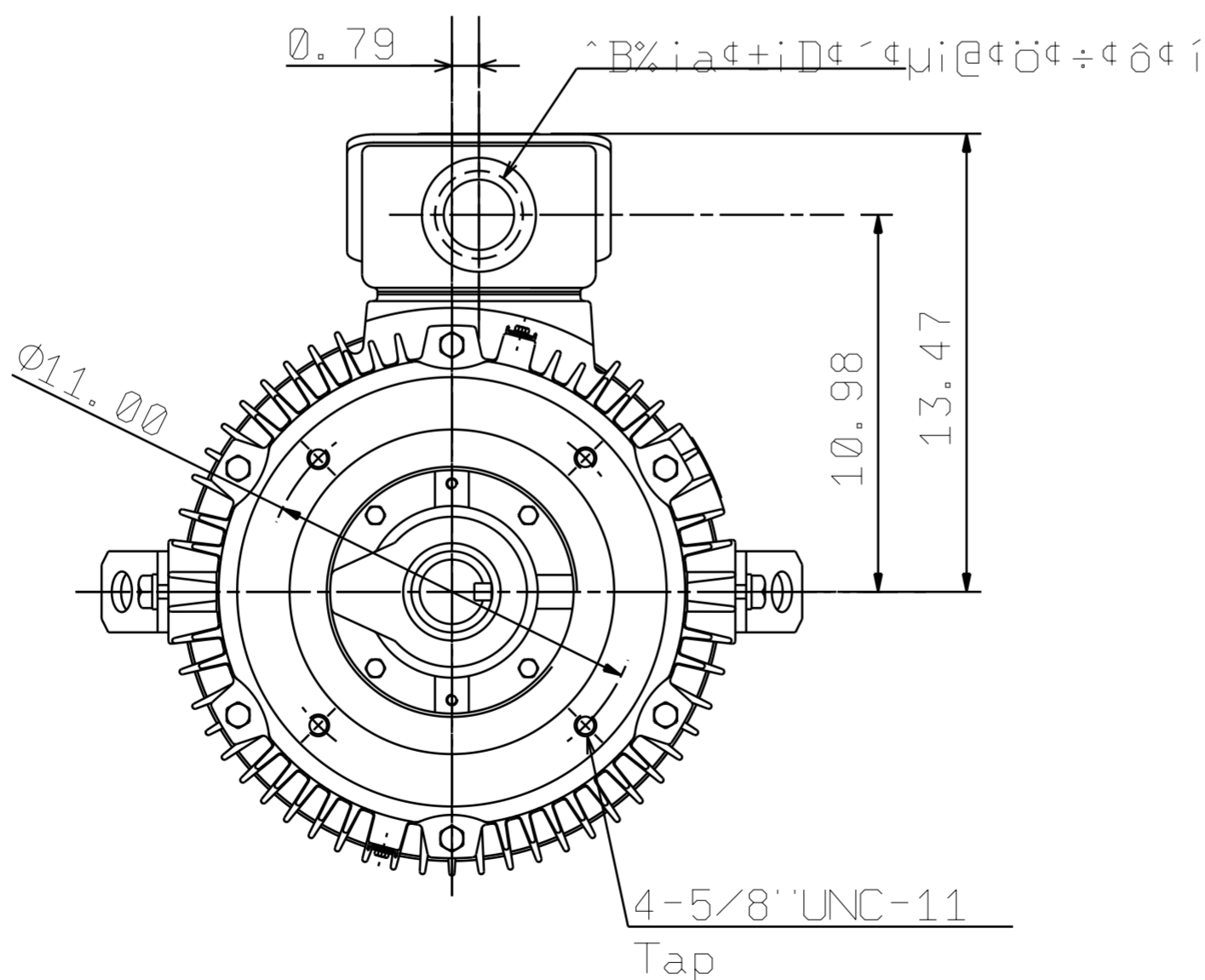
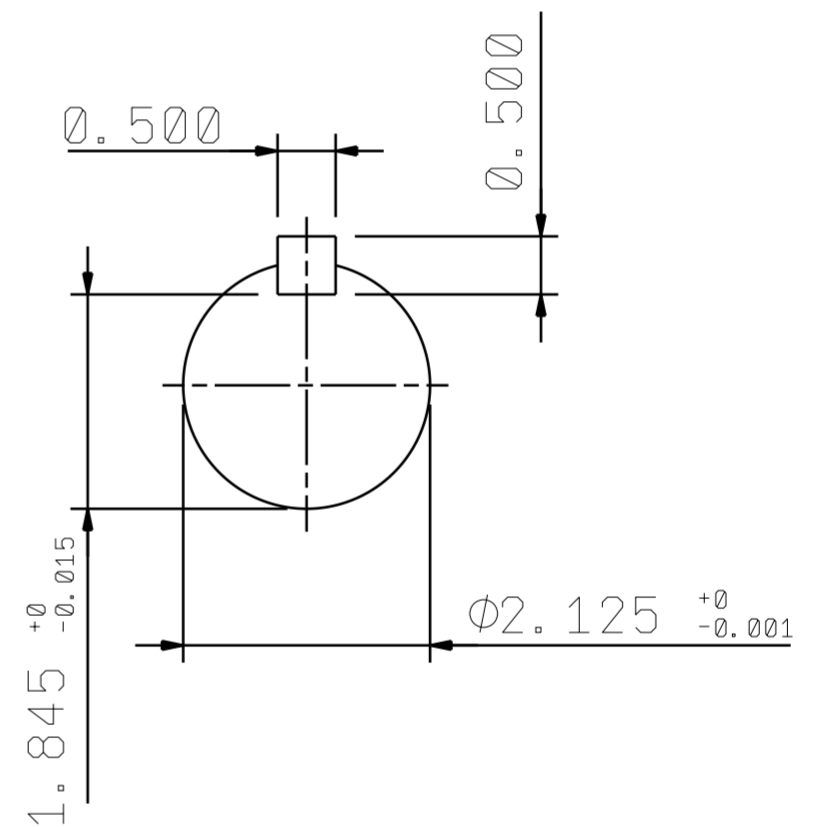
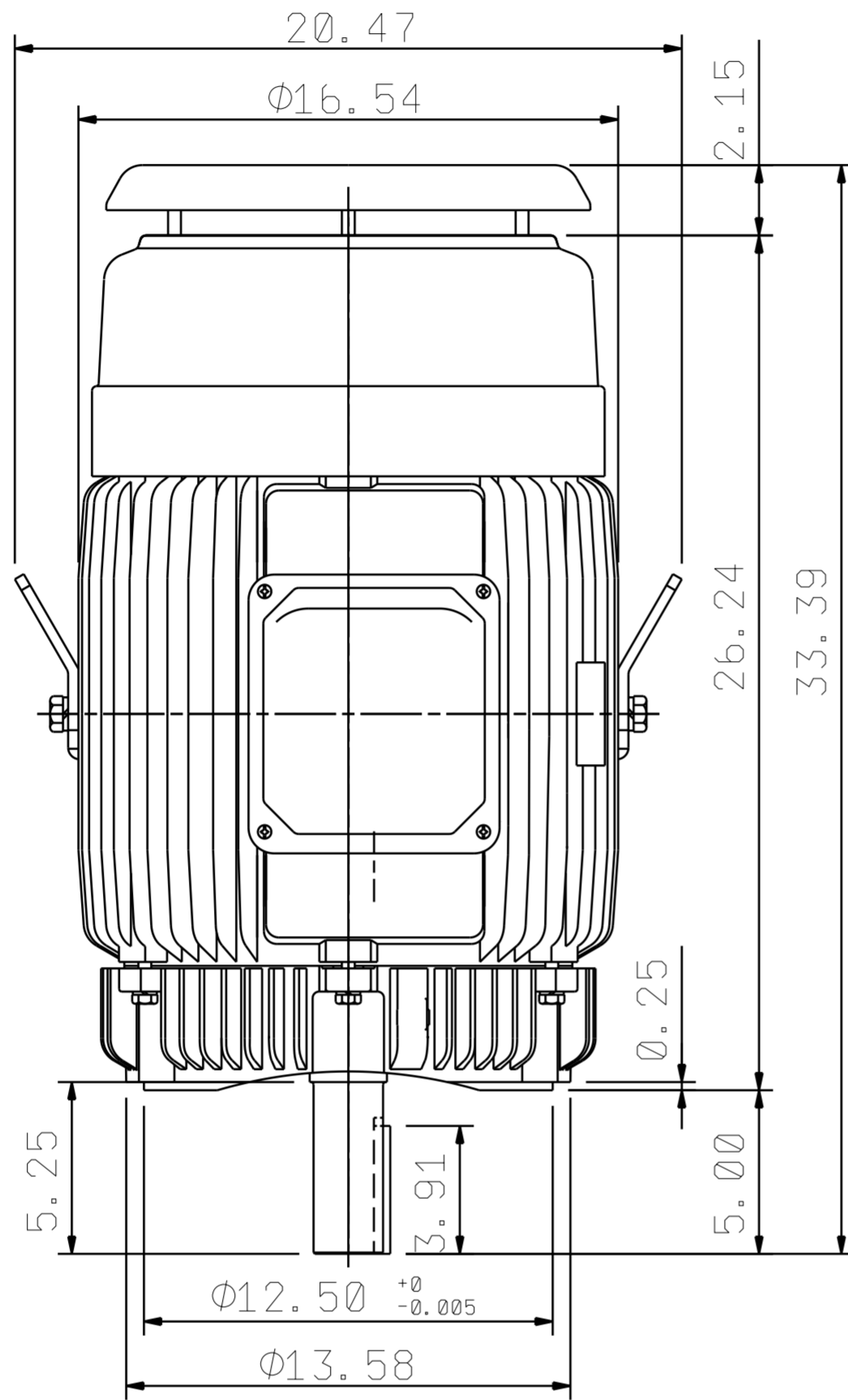
3-PHASE INDUCTION MOTOR

FRAME NO. 326TC

Pole	HP	kW	Hz	VOLT	r/min
6	30	22.38	60	230/460	1200

Ins	Rating	Dimension in	Approx Weight	Bearings
F	CONT.	^B%#ñ#ö#ë#í		DE: 6312 NDE: 6212

Totally Enclosed Fan-cooled Vertical Type. Squirrel-cage Rotor.



TA17142-00-01

□			^B%iD
---	--	--	-------

DWG.	^B%\$00VAM	東元電機股份有限公司 TECO Electric & Machinery Co., Ltd. TAIWAN	DWG NO.
CHKD.	^B%R041017		31057A534210
APPD.	^B%R041017		